

CANOPY SHEETING

- DQ0005 - SOFFIT PANEL ERECTION DETAIL
 - DQ0010 - LOW EAVE CANOPY - AT EAVE
 - DQ0110 - BELOW EAVE CANOPY
 - DQ0214 - CANPOPY TERMINATION - INSET-FLUSH
 - DQ0215 - CANPOPY TERMINATION - BYPASS
 - DQ0410 - HIGH EAVE CANOPY - AT EAVE
 - DQ0510 - CANOPY SOFFIT TERM AT BEAM
-

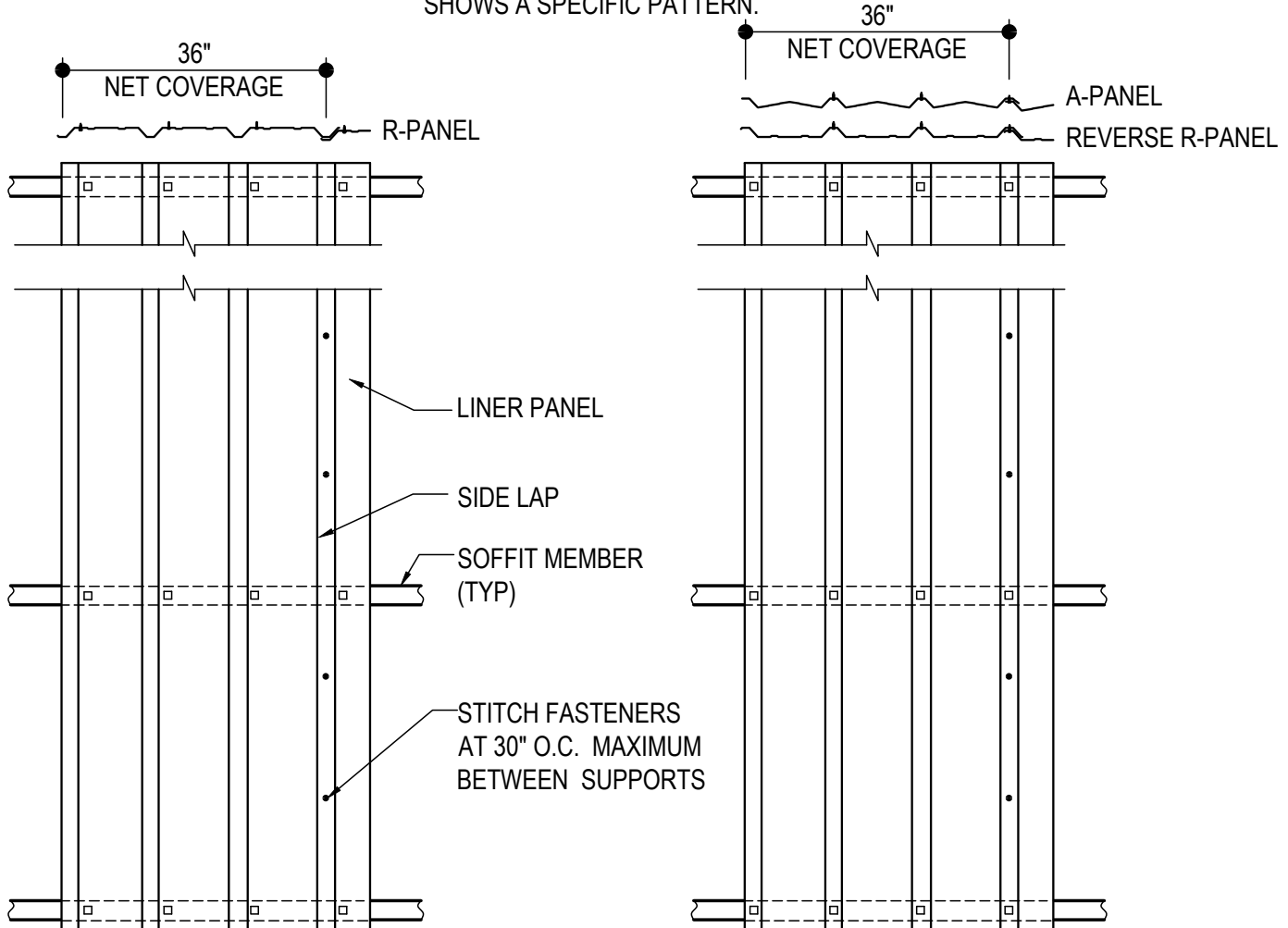
DQ0005 - SOFFIT PANEL ERECTION DETAIL

[Download the DWG file by clicking here.](#)

- H1060 STITCH FASTENER
- ▣ H1040 STRUCTURAL FASTENER

ERECTOR NOTE:

ERECTION OF THE SOFFIT PANEL MUST BE COORDINATED PROPERLY WITH THE SOFFIT TRIM CONDITIONS AS SHOWN IN THE ERECTION DETAILS. PLACEMENT AND ORIENTATION OF THE SOFFIT PANEL MAY VARY BY CONDITION AND SUPPORT MEMBERS MAY ALSO VARY. USE THIS FASTENING PATTERN UNLESS TRIM SECTION SHOWS A SPECIFIC PATTERN.



SOFFIT PANEL ERECTION DETAIL

DQ0005

Detailer Notes:

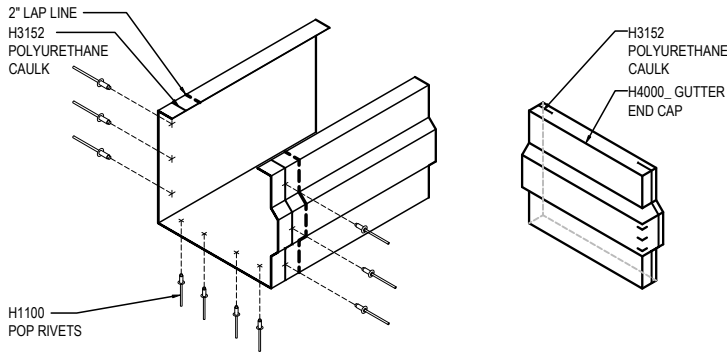
- 1) THIS DETAIL IS A DUPLICATE OF DO0005, EO3005, EO60005, EQ3005, EQ6005 & HK0005. DUPLICATE DETAILS ARE TO ENSURE THAT THEY ARE PLACED IN ORDER IN THE ERECTION DRAWINGS.

DQ0010 - LOW EAVE CANOPY - AT EAVE

[Download the DWG file by clicking here.](#)

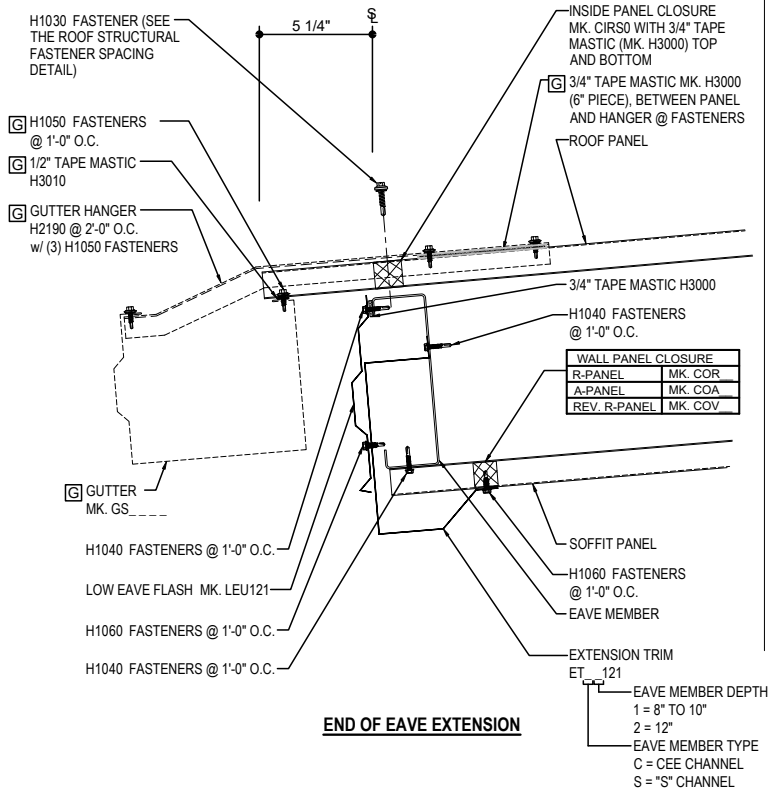
GUTTER LAP & END CAP

APPLY BEAD OF POLYURETHANE CAULK 1" FROM END OF TRIM AND LAP SECTIONS 2" AND FASTEN AS SHOWN. TO TERMINATE THE GUTTER APPLY POLYURETHANE CAULK TO THREE SIDES OF END CAP AND TOP RETURN AREA AS SHOWN AND INSERT 1/2" INTO END OF GUTTER. ATTACH WITH RIVETS SAME AS END LAP.

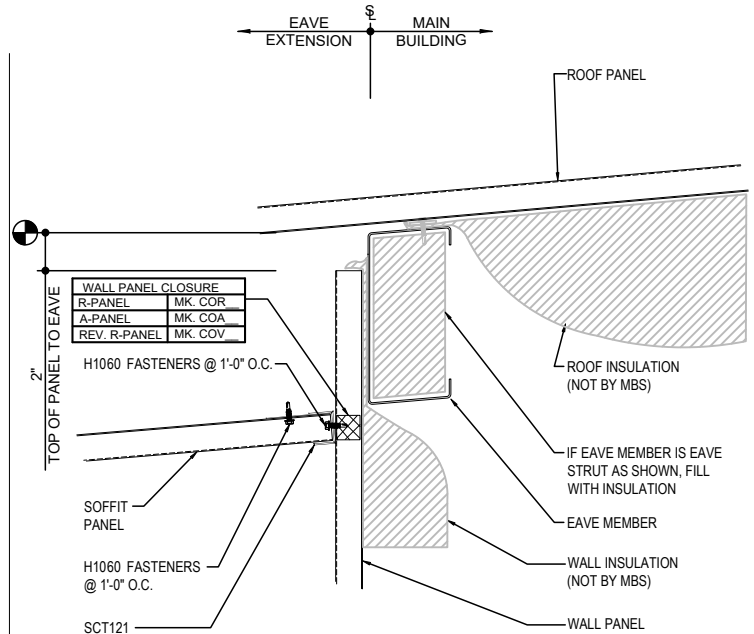


GUTTER SHOWN IF REQ'D

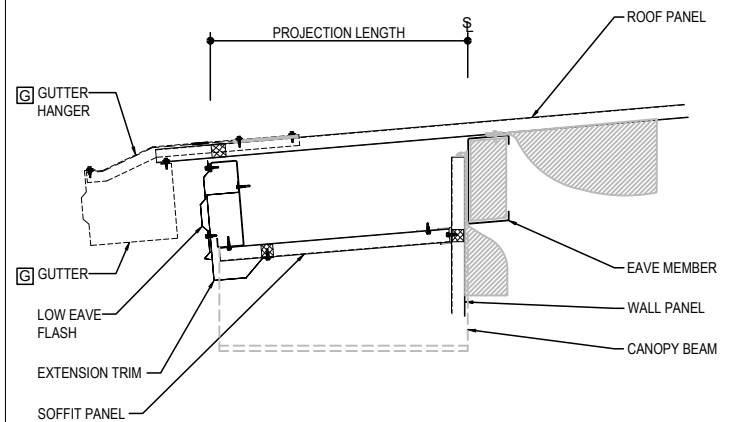
☐ REQ'D ONLY FOR GUTTER



END OF EAVE EXTENSION



EAVE EXTENSION SOFFIT AT BUILDING STEEL LINE



LOW EAVE CANOPY - AT EAVE

EAVE WITH OR WITHOUT GUTTER DETAIL W/ SOFFIT PANELS
SEE WALL SHEETING ERECTION NOTES FOR WALL PANEL FASTENER LOCATIONS

DQ0010

Detailer Notes:

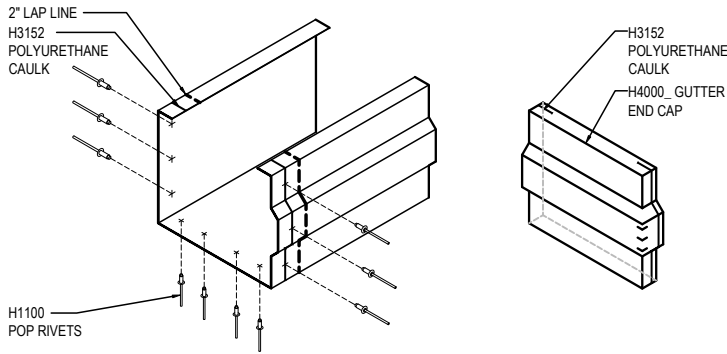
- 1) N/A

DQ0110 - BELOW EAVE CANOPY

[Download the DWG file by clicking here.](#)

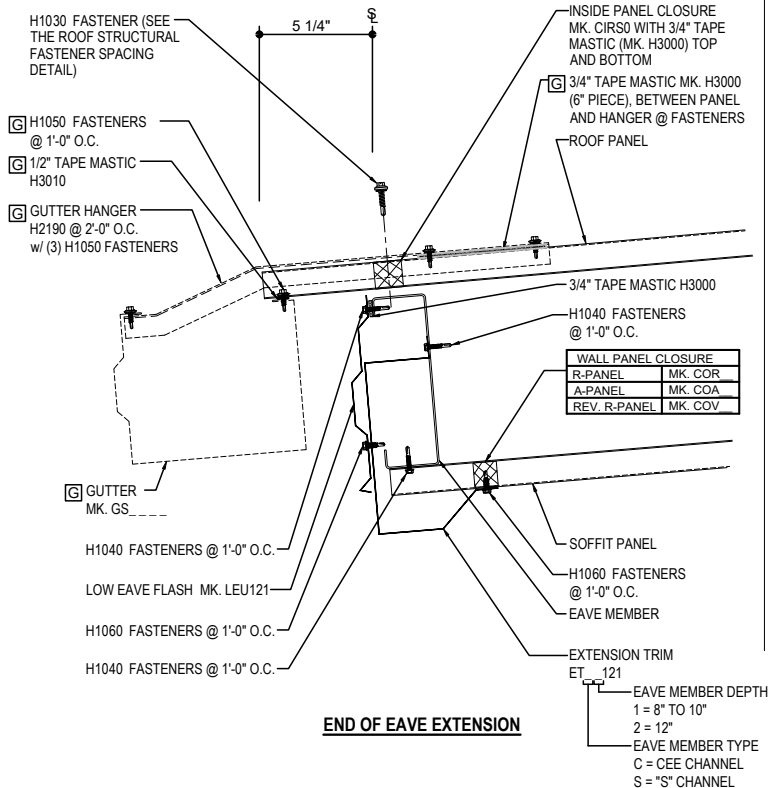
GUTTER LAP & END CAP

APPLY BEAD OF POLYURETHANE CAULK 1" FROM END OF TRIM AND LAP SECTIONS 2" AND FASTEN AS SHOWN. TO TERMINATE THE GUTTER APPLY POLYURETHANE CAULK TO THREE SIDES OF END CAP AND TOP RETURN AREA AS SHOWN AND INSERT 1/2" INTO END OF GUTTER. ATTACH WITH RIVETS SAME AS END LAP.



GUTTER SHOWN IF REQ'D

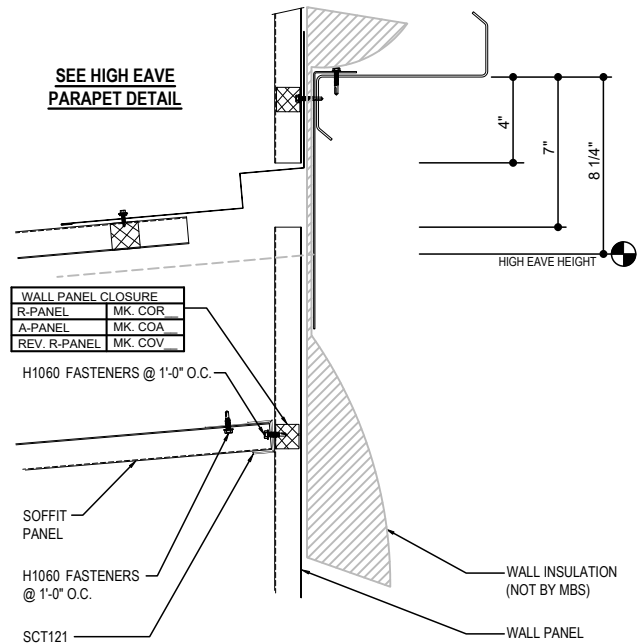
☐ REQ'D ONLY
FOR GUTTER



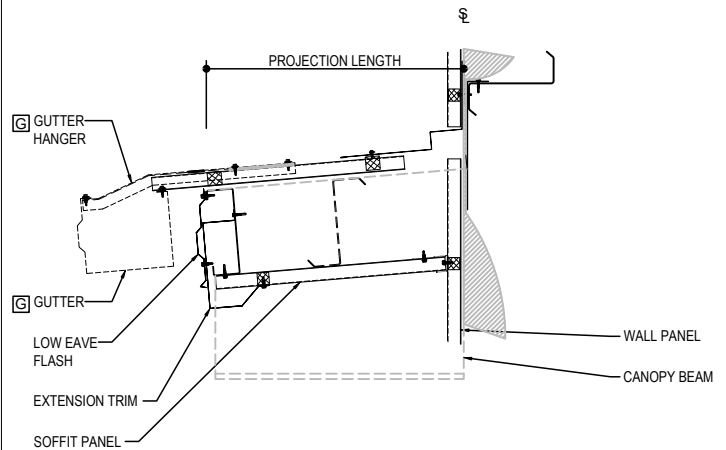
END OF EAVE EXTENSION

EAVE MEMBER DEPTH
1 = 8" TO 10"
2 = 12"
EAVE MEMBER TYPE
C = CEE CHANNEL
S = "S" CHANNEL

SEE HIGH EAVE PARAPET DETAIL



EAVE EXTENSION SOFFIT AT BUILDING STEEL LINE



BELOW EAVE CANOPY

EAVE WITH OR WITHOUT GUTTER DETAIL W/ SOFFIT PANELS
SEE WALL SHEETING ERECTION NOTES FOR WALL PANEL FASTENER LOCATIONS

DQ0110

Detailer Notes:

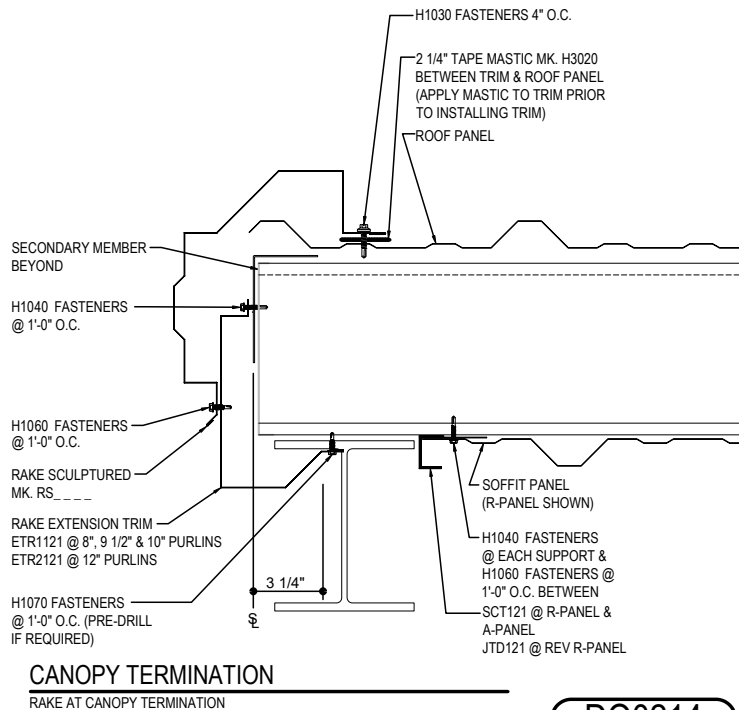
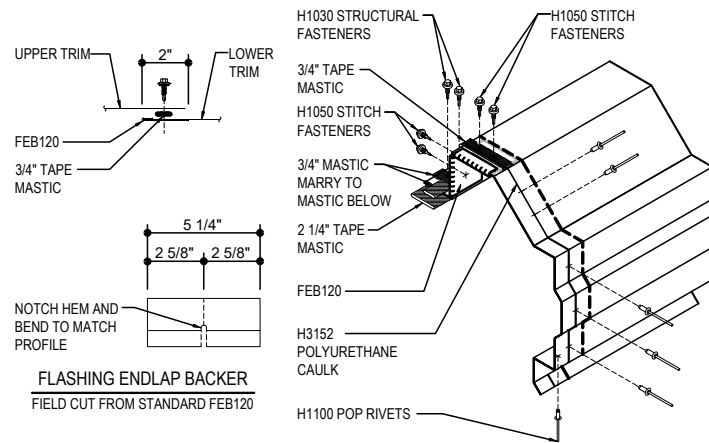
- 1) N/A

DQ0214 - CANOPY TERMINATION - INSET-FLUSH

[Download the DWG file by clicking here.](#)

RAKE LAP & FLASHING BACKER

SLIDE FIELD CUT SECTION OF FLASHING ENDLAP BACKER ONTO THE LOWER TRIM PIECE AS SHOWN BELOW. PLACE TAPE MASTIC NEXT TO HEM OF THE BACKER (NOT ON TOP OF HEM). APPLY CONTINUOUS BEAD OF CAULK 1" FROM END OF TRIM DOWN PROFILE OF TRIM. FASTEN LAP WITH STITCH FASTENERS AND POP RIVETS AS SHOWN. ROOF STRUCTURAL FASTENERS SHOULD BE USED TO FASTEN THROUGH PANEL FLAT INTO RAKE ANGLE.



DQ0214

Detailer Notes:

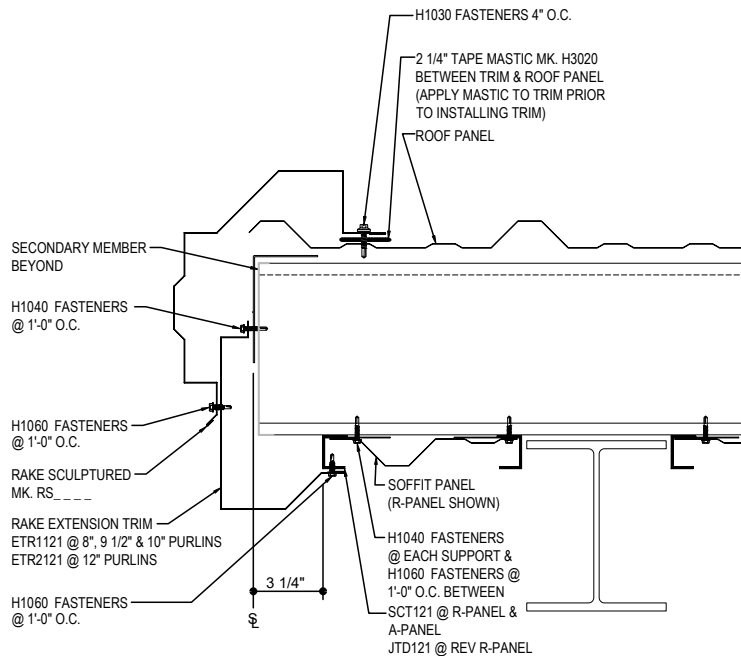
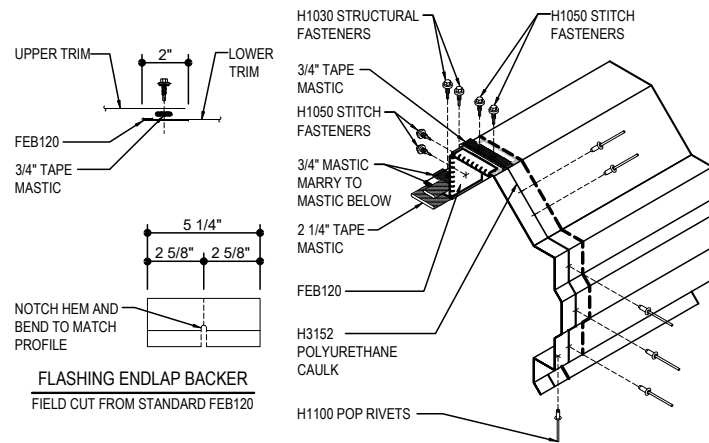
- 1) USE THIS DETAIL WITH FLUSH OR INSET ENDWALL CONDITIONS.

DQ0215 - CANOPY TERMINATION - BYPASS

[Download the DWG file by clicking here.](#)

RAKE LAP & FLASHING BACKER

SLIDE FIELD CUT SECTION OF FLASHING ENDLAP BACKER ONTO THE LOWER TRIM PIECE AS SHOWN BELOW. PLACE TAPE MASTIC NEXT TO HEM OF THE BACKER (NOT ON TOP OF HEM). APPLY CONTINUOUS BEAD OF CAULK 1" FROM END OF TRIM DOWN PROFILE OF TRIM. FASTEN LAP WITH STITCH FASTENERS AND POP RIVETS AS SHOWN. ROOF STRUCTURAL FASTENERS SHOULD BE USED TO FASTEN THROUGH PANEL FLAT INTO RAKE ANGLE.



CANOPY TERMINATION

RAKE AT CANOPY TERMINATION

DQ0215

Detailer Notes:

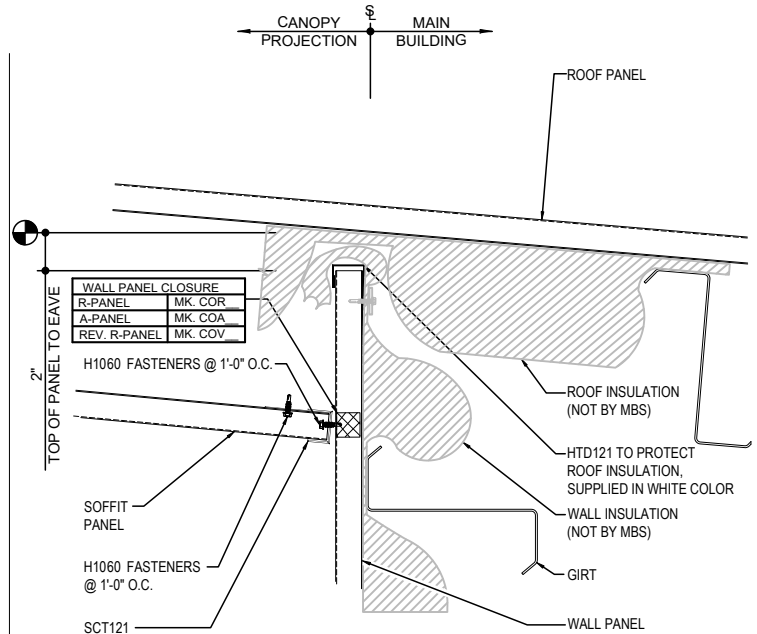
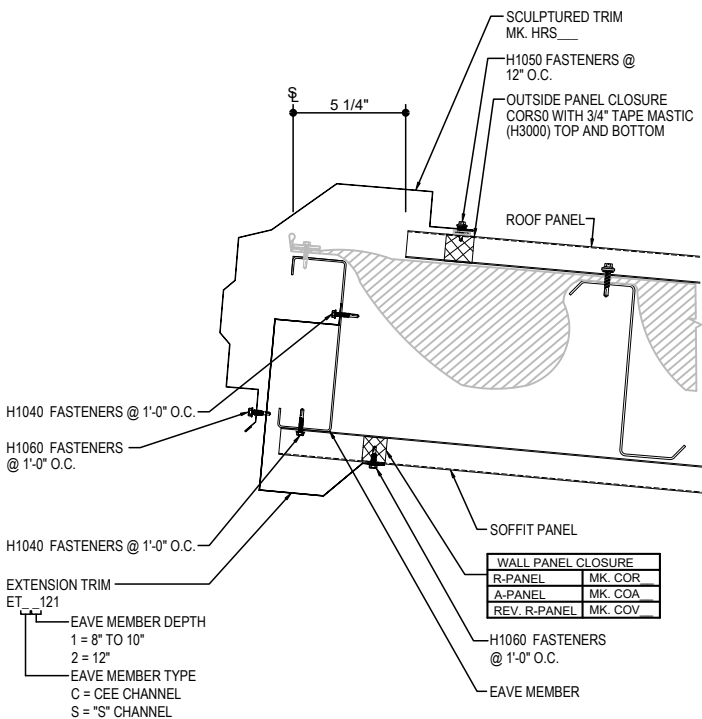
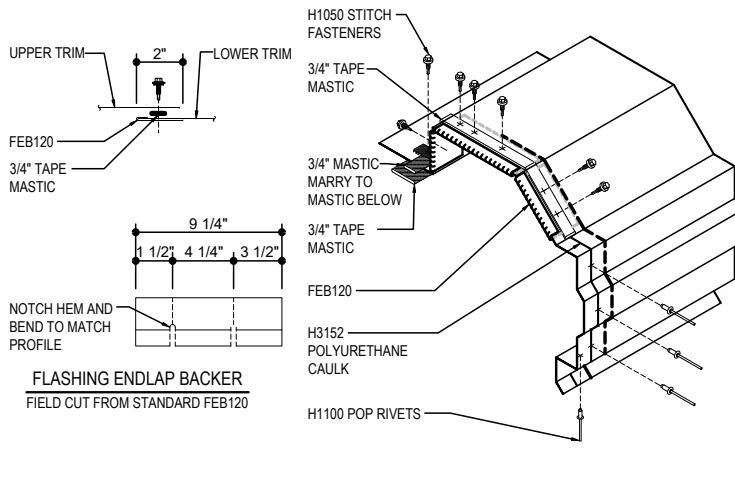
- 1) USE THIS DETAIL WITH BYPASS ENDWALL CONDITIONS.

DQ0410 - HIGH EAVE CANOPY - AT EAVE

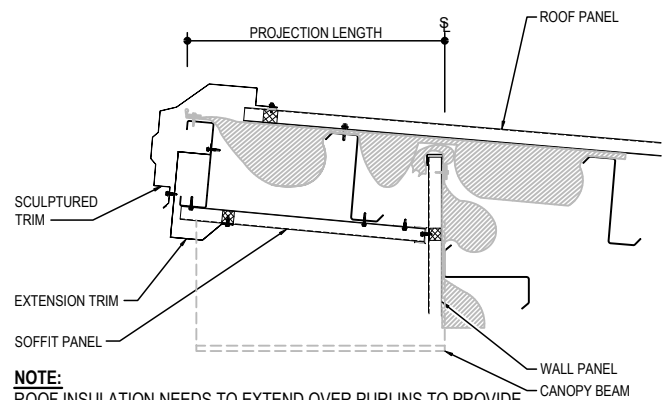
[Download the DWG file by clicking here.](#)

HIGH EAVE LAP & FLASHING BACKER

SLIDE FIELD CUT SECTION FLASHING ENDLAP BACKER ONTO THE LOWER TRIM PIECE. PLACE TAPE MASTIC NEXT TO HEM OF THE BACKER (NOT ON TOP OF HEM). APPLY CONTINUOUS BEAD OF CAULK 1" FROM END OF TRIM DOWN PROFILE OF TRIM. FASTEN LAP WITH STITCH FASTENERS AND POP RIVETS AS SHOWN.



CANOPY SOFFIT AT BUILDING STEEL LINE



NOTE:

ROOF INSULATION NEEDS TO EXTEND OVER PURLINS TO PROVIDE SUPPORT UNDER PANEL AT PURLIN LOCATIONS. WALL INSULATION TERMINATION SHOWN IS A SUGGESTION BUT MAY VARY.

HIGH EAVE CANOPY - AT EAVE

HIGH EAVE DETAIL W/ SOFFIT PANELS
SEE WALL SHEETING ERECTION NOTES FOR WALL PANEL FASTENER LOCATIONS

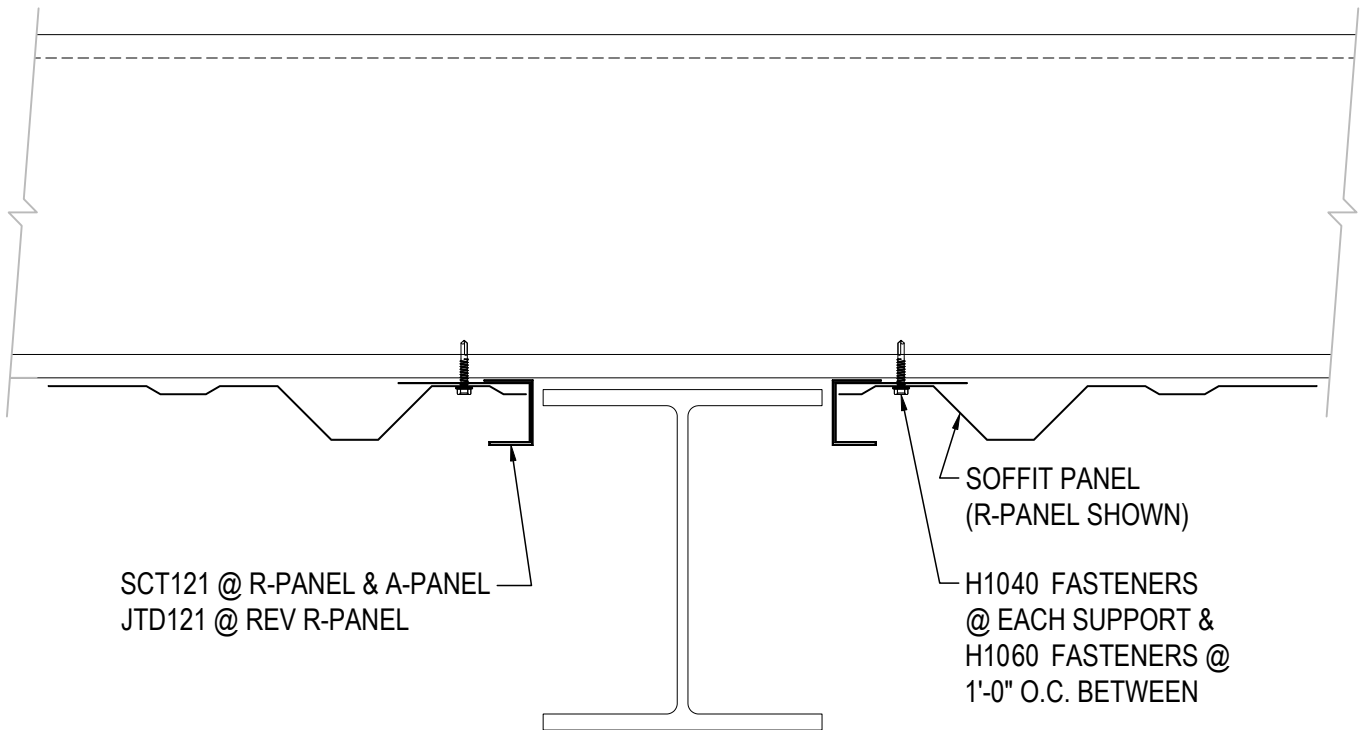
DQ0410

Detailer Notes:

1) N/A

DQ0510 - CANPOPY SOFFIT TERMINATION AT BEAM

[Download the DWG file by clicking here.](#)



CANOPY SOFFIT TERMINATION AT BEAM

SEE SOFFIT PANEL ERECTION NOTE FOR SOFFIT PANEL FASTENER LOCATIONS

DQ0510

Detailer Notes:

- 1) THIS DETAIL IS DUPLICATE OF EQ3510 & EQ6510. DUPLICATE DETAILS ARE TO ENSURE THAT THEY ARE PLACED IN ORDER IN ERECTIN DRAWINGS.